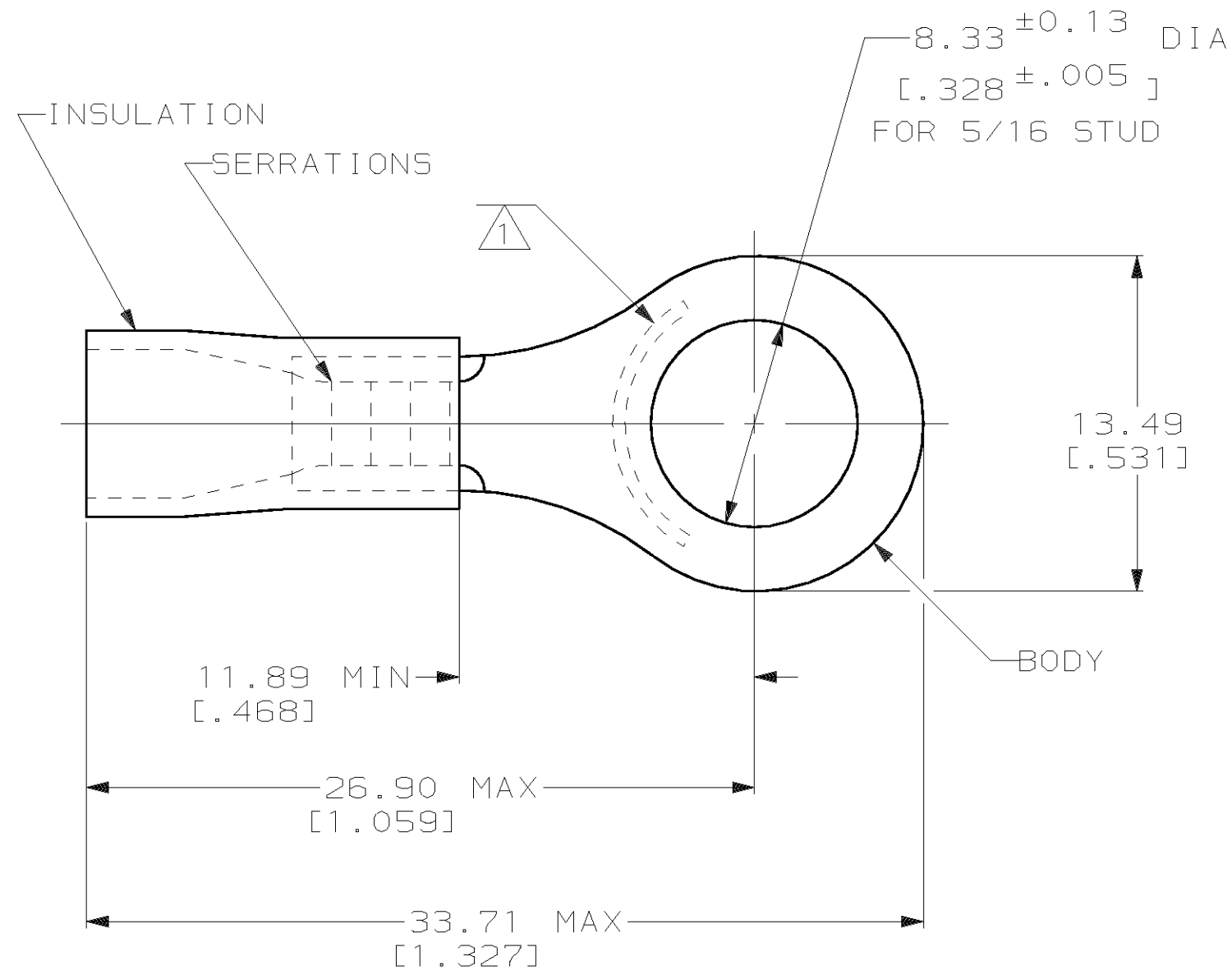


THIS DRAWING IS UNPUBLISHED. RELEASED FOR PUBLICATION, 19  
 © COPYRIGHT 19 BY AMP INCORPORATED. ALL INTERNATIONAL RIGHTS RESERVED.

LOC	DIST	P	F	REVISIONS				
G	14			ZONE	LTR	DESCRIPTION	DATE	APPD
					N	REV PER 0G3A-0630-01	13NOV01	S <sup>R</sup> TM

<b>AMP</b> WIRE RANGE	<b>UL</b> Listed	<b>SR</b> LR7189 Certified
12-10 AWG SOLID OR STRANDED	12-10 AWG SOLID OR STRANDED	12-10 AWG SOLID OR STRANDED



- ① STAMP AMP 12-10\* APPROX AS SHOWN
- ② WIRE INSULATION DIA: .150-.230
- ③ TONGUE MATERIAL THK: 1.02±0.05 [.040±.002]
- ④ PVC COLOR: YELLOW
- ⑤ PVC COLOR: BLACK
- ⑥ REPLACED BY 34172

	50	LOOSE PC, BOX	④	8-34172-2
	2500	2-34172-2 ON TAPE	⑤	2-34172-3
<b>OBSOLETE</b>	-	LOOSE PIECE	⑤	2-34172-2 ⑥
	2500	34172 ON TAPE	④	2-34172-1
	-	LOOSE PIECE	④	34172
QUANTITY	PACKAGE TYPE	PART NO		

**AMP INCORPORATED  
CUSTOMER SERVICE SYSTEMS**

FOR ADDITIONAL PRODUCT INFORMATION OR COPIES OF DRAWINGS AND TECHNICAL DOCUMENTS	PRODUCT INFORMATION CENTER 1-800-522-6752
FOR APPLICATION TOOLING INFORMATION	TOOLING ASSISTANCE CENTER 1-800-722-1111
FOR ORDER ENTRY	1-800-526-5142

MAX RECOMMENDED OPERATING TEMPERATURE: 90°C MAX
VOLTAGE RATING: NOT APPLICABLE
CIRCULAR MIL AREA: 2.62-6.64mm <sup>2</sup> [5,180-13,100] SOLID OR STRANDED

DO NOT SCALE PRINT. UNLESS SPECIFIED DIMENSIONS IN mm [INCHES] TOLERANCES ON: 2 PLC DEC ± 0.20[.008] 3 PLC DEC ± - ANGLES ± -
MATERIAL COPPER PER ASTM B-152 PVC COLOR, SEE TABLE
FINISH TIN PLATE PER MIL-T-10727

DR 08/06/92 DK SCHRUM
CHK 11/10/92 RE HERSEY
APPD 11/10/92 ML ELLIS
APPD 11/10/92 M BARNABA
PRODUCT SPEC 108-1034
APPLICATION SPEC NOT AVAILABLE
WEIGHT -

<b>AMP</b> AMP Incorporated Harrisburg, PA 17105-3608		
NAME TERMINAL, RING TONGUE, PLASTI-GRIP™		
SIZE B	CAGE CODE 00779	DRAWING NO C-34172
SCALE 4:1	SHEET 1 OF 1	